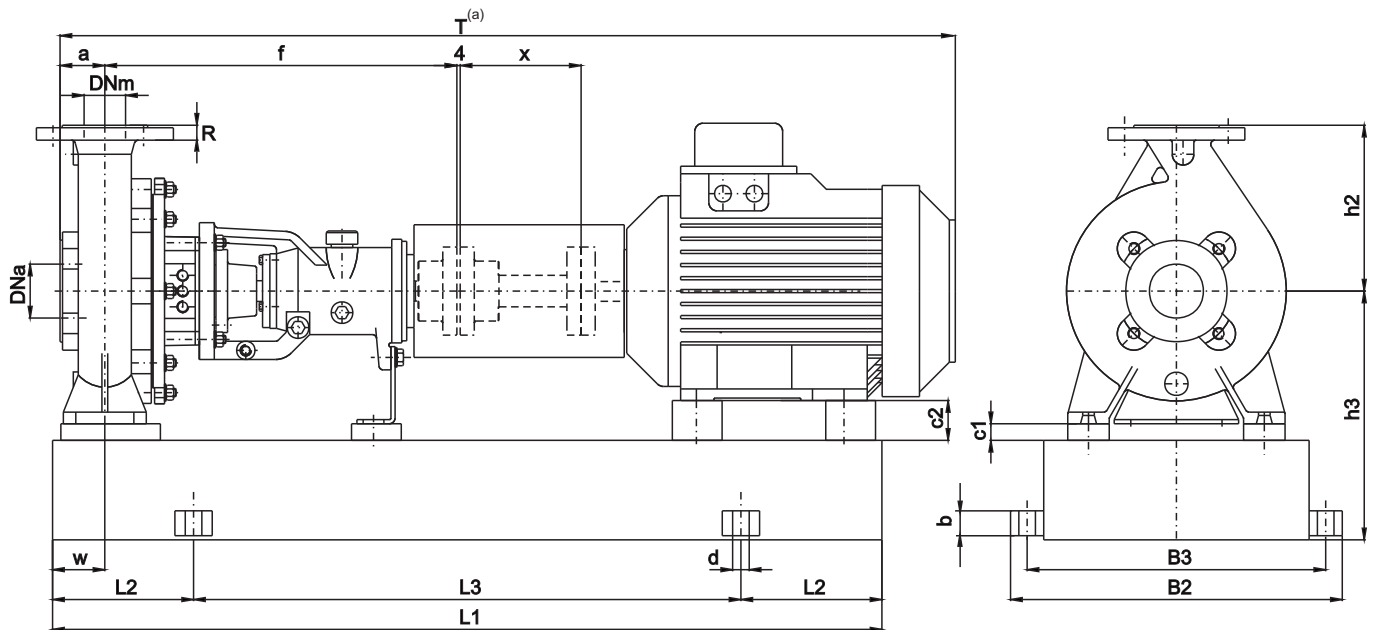
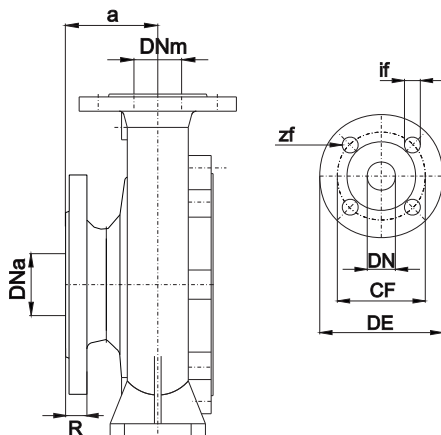


**Grandezze - Size:**

32-16, 32-20, 50-16, 50-20, 50-25, 65-20, 80-20, 80-20S, 80-25, 100-25, 125-25, 125-31, 125-40, 150-31



**Solo per Grandezze - only size :**  
150-35, 200-35, 250-35



Dimensioni Flange - Flanges Dimension EN 1092-1/2 PN 10										
DNa - DNm	32	50	65	80	100	125	150	200	250	300
CF	100	125	145	160	180	210	240	295	350	400
DE	140	165	185	200	220	250	285	340	395	445
if	18	18	18	18	18	18	23	23	23	23
zf	4	4	4	8	8	8	8	8	12	12

**Lunghezza del giunto spaziatore - Spacer coupling length**

Pompa tipo Pump size		32-16	32-20	50-16	50-20	50-25	65-20	80-20	80-25	80-31	100-25	125-25	125-31	150-31	150-35	200-35	250-35
Supporto Bearing housing	[mm]	25	25	25	35	35	35	35	35	50	35	35	50	50	65	65	65
X	[mm]	100	100	100	100	100	140	140	140	140	140	140	140	200	200	200	200

**ACCOPIAMENTO POTENZA - POLARITA' / GRANDEZZA MOTORE  
POWER-POLARITY / MOTOR SIZE COUPLING**

	Grand.	71	80	80	90S	90L	100L	112M	132S	132S	132M	160M	160M	160L	180M	200L	200L	225M	250M	280S	280M	315S	315M					
2POLI	kW	0,55	0,75	1,1	1,5	2,2	3	4	5,5	7,5	9,2	11	15	18,5	22	30	37	45	55	75	90	110	132					
4POLI	Grand.	80	80	90S	90L	100L	100L	112M	132S	132M	132M	160M	160L	180M	180L	200L	225S	225M	250M	280S	280M	315S	315M	315M	315L	355L	355L	355L
4POLI	kW	0,55	0,75	1,1	1,5	2,2	3	4	5,5	7,5	9,2	11	15	18,5	22	30	37	45	55	75	90	110	132	160	200	250	315	355
6POLI	Grand.	80	90S	90L	100L	112M	132S	132M	132M	160M	160L	180L	200L	200L	225L	250M	280S	280M	315S	315M	315M	315M						
6POLI	kW	0,55	0,75	1,1	1,5	2,2	3	4	5,5	7,5	11	15	18,5	22	30	37	45	55	75	90	110	132						

Pompa tipo Pump size	Motore Grand. Motor Size	Base Base - Plate n.°	DIMENSIONI - DIMENSIONS [mm]																Peso <sup>(a)</sup> Weight		
			DNa	DNm	a	f	h3	h2	L1	L2	L3	B2	B3	w	d	b	C1	C2	T <sup>(a)</sup>	[kg]	
32-16	80	2	50	32	48	518	252	160	1000	170	660	400	360	60	19	30	0	52	845	65	
	90S	"	"	"	"	"	"	"	"	"	"	"	"	"	"	"	"	42	865	"	
	90L	"	"	"	"	"	"	"	"	"	"	"	"	"	"	"	"	"	"	890	70
	100L	"	"	"	"	"	"	"	"	"	"	"	"	"	"	"	"	32	930	100	
	112M	"	"	"	"	"	"	"	"	"	"	"	"	"	"	"	"	20	930	105	
	132S	"	"	"	"	"	"	"	"	"	"	"	"	"	"	"	"	0	1020	120	
132M	"	"	"	"	"	"	"	"	"	"	"	"	"	"	"	"	"	0	1020	125	
32-20	90S	2	50	32	48	418	280	180	1000	170	660	400	360	60	19	30	0	70	865	70	
	90L	"	"	"	"	"	"	"	"	"	"	"	"	"	"	"	"	"	"	890	75
	100L	"	"	"	"	"	"	"	1000	170	660	400	360	60	"	"	0	60	930	110	
	112M	"	"	"	"	"	"	"	"	"	"	"	"	"	"	"	"	48	930	"	
	132S	"	"	"	"	"	"	"	"	"	"	"	"	"	"	"	"	28	1020	125	
	132M	"	"	"	"	"	"	"	"	"	"	"	"	"	"	"	"	"	"	1020	130
50-16	90S	2	65	50	55	427	280	180	1000	170	660	400	360	60	19	30	0	70	880	70	
	90L	"	"	"	"	"	"	"	"	"	"	"	"	"	"	"	"	"	"	905	75
	100L	"	"	"	"	"	"	"	"	"	"	"	"	"	"	"	"	"	60	945	105
	112M	"	"	"	"	"	"	"	"	"	"	"	"	"	"	"	"	"	48	950	110
	132S	"	"	"	"	"	"	"	"	"	"	"	"	"	"	"	"	28	1035	120	
	132M	"	"	"	"	"	"	"	"	"	"	"	"	"	"	"	"	"	"	1035	130
50-20	100L	2	65	50	55	532	280	200	1000	170	660	400	360	60	19	30	0	60	1050	120	
	112M	"	"	"	"	"	"	"	"	"	"	"	"	"	"	"	"	48	1055	"	
	132S	3	"	"	"	"	"	"	1200	205	790	440	400	"	"	"	"	28	1140	135	
	132M	"	"	"	"	"	"	"	"	"	"	"	"	"	"	"	"	"	"	1140	140
	160M	"	"	"	"	"	"	"	"	"	"	"	"	"	"	"	"	0	1295	175	
	160L	"	"	"	"	"	"	"	"	"	"	"	"	"	"	"	"	"	"	1335	195
50-25	90S	2	65	50	55	534	300	225	1000	170	660	400	360	75	19	30	0	90	990	120	
	90L	"	"	"	"	"	"	"	"	"	"	"	"	"	"	"	"	"	"	1015	"
	100L	"	"	"	"	"	"	"	"	"	"	"	"	"	"	"	"	80	1050	130	
	112M	3	"	"	"	"	"	"	1200	205	790	440	400	"	"	"	"	68	1055	"	
	132S	"	"	"	"	"	"	"	"	"	"	"	"	"	"	"	"	48	1140	145	
	132M	"	"	"	"	"	"	"	"	"	"	"	"	"	"	"	"	"	"	1140	155
65-20	100L	3	80	65	66	542	300	225	1200	205	790	440	400	75	19	30	0	80	1115	120	
	112M	"	"	"	"	"	"	"	"	"	"	"	"	"	"	"	"	68	1115	125	
	132S	"	"	"	"	"	"	"	"	"	"	"	"	"	"	"	"	48	1180	140	
	132M	"	"	"	"	"	"	"	"	"	"	"	"	"	"	"	"	"	"	1180	145
	160M	4	"	"	"	"	"	225	1500	245	1010	480	440	75	"	30	"	20	1355	180	
	160L	"	"	"	"	"	"	"	"	"	"	"	"	"	"	"	"	"	"	1355	200
80-20(S)	100L	3	100	80	70	550	300	250	1200	205	790	440	400	75	19	30	0	80	1125	130	
	112M	"	"	"	"	"	"	"	"	"	"	"	"	"	"	"	"	68	1125	140	
	132S	"	"	"	"	"	"	"	"	"	"	"	"	"	"	"	"	48	1210	150	
	132M	"	"	"	"	"	"	"	"	"	"	"	"	"	"	"	"	"	"	1210	160
	160M	4	"	"	"	"	"	250	1500	245	1010	480	440	75	"	30	0	20	1365	190	
80-25	112M	5	100	80	75	575	345	280	1200	205	790	505	465	90	19	30	0	113	1155	150	
	132S	"	"	"	"	"	"	"	"	"	"	"	"	"	"	"	"	93	1240	160	
	132M	"	"	"	"	"	"	"	"	"	"	"	"	"	"	"	"	"	"	1240	170
	160M	7	"	"	"	"	390	280	1450	235	980	560	510	90	24	15	25	90	1395	200	
	160L	"	"	"	"	"	"	"	"	"	"	"	"	"	"	"	"	"	"	1395	210
	180M	"	"	"	"	"	"	"	"	"	"	"	"	"	"	"	"	70	1475	240	
80-31	132S	5	100	80	90	587	370	315	1200	205	790	505	465	90	19	30	0	118	1270	240	
	132M	"	"	"	"	"	"	"	"	"	"	"	"	"	"	"	"	"	"	1270	"
	160M	7	"	"	"	"	415	"	1450	235	980	560	510	"	24	15	25	115	1425	270	
	160L	"	"	"	"	"	"	"	"	"	"	"	"	"	"	"	"	"	"	1425	290
	180M	"	"	"	"	"	"	"	"	"	"	"	"	"	"	"	"	95	1500	320	
	180L	"	"	"	"	"	"	"	"	"	"	"	"	"	"	"	"	"	"	1520	340
	200L	"	"	"	"	"	"	"	"	"	"	"	"	"	"	"	"	75	1595	380	
	225S	8	"	"	"	"	"	"	1590	"	1120	"	"	"	"	"	"	50	1685	410	
225M	"	"	"	"	"	"	"	"	"	"	"	"	"	"	"	"	"	"	1685	430	

Pompa tipo Pump size	Motore Grand. Motor Size	Base Base - Plate n.°	DIMENSIONI - DIMENSIONS [mm]																Peso <sup>(a)</sup> Weight			
			DNa	DNm	a	f	h3	h2	L1	L2	L3	B2	B3	w	d	b	c1	c2	T <sup>(a)</sup>	[kg]		
100-25	132S	5	125	100	90	585	345	280	1200	205	790	505	465	90	19	30	0	93	1125	170		
	132M	"	"	"	"	"	"	"	"	"	"	"	"	"	"	"	"	"	"	1125	"	
	160M	7	"	"	"	"	390	"	1450	235	980	560	510	"	24	15	25	90	1280	200		
	160L	"	"	"	"	"	"	"	"	"	"	"	"	"	"	"	"	"	"	1325	220	
	180M	"	"	"	"	"	"	"	"	"	"	"	"	"	"	"	"	"	70	1360	250	
	180L	"	"	"	"	"	"	"	"	"	"	"	"	"	"	"	"	"	"	"	1380	270
200L	"	"	"	"	"	"	"	"	"	"	"	"	"	"	"	"	"	50	1455	310		
125-25	132S	6	150	125	112	597	415	355	1300	215	870	510	460	90	24	15	25	143	1304	245		
	132M	"	"	"	"	"	"	"	"	"	"	"	"	"	"	"	"	"	143	1304	250	
	160M	7	"	"	"	"	"	"	1450	235	980	560	510	"	"	"	"	"	115	1454	285	
	160L	"	"	"	"	"	"	"	"	"	"	"	"	"	"	"	"	"	"	"	1500	300
	180M	"	"	"	"	"	"	"	"	"	"	"	"	"	"	"	"	"	"	95	1540	375
	180L	"	"	"	"	"	"	"	"	"	"	"	"	"	"	"	"	"	"	"	1560	380
200L	"	"	"	"	"	"	"	"	"	"	"	"	"	"	"	"	"	75	1640	400		
125-31	132M	6	150	125	113	600	445	355	1300	215	870	510	460	110	24	15	25	173	1305	270		
	160M	7	"	"	"	"	"	"	1450	235	980	560	510	"	"	"	"	"	145	1460	290	
	160L	"	"	"	"	"	"	"	"	"	"	"	"	"	"	"	"	"	"	"	1500	310
	180M	"	"	"	"	"	"	"	"	"	"	"	"	"	"	"	"	"	"	125	1535	340
	180L	"	"	"	"	"	"	"	"	"	"	"	"	"	"	"	"	"	"	"	1555	360
	200L	"	"	"	"	"	"	"	"	"	"	"	"	"	"	"	"	"	105	1630	395	
	225S	8	"	"	"	"	"	"	1590	"	1120	"	"	"	"	"	"	"	80	1720	435	
	225M	"	"	"	"	"	"	"	"	"	"	"	"	"	"	"	"	"	"	"	1720	450
250M	"	"	"	"	"	"	"	"	"	"	"	"	"	"	"	"	"	55	1730	500		
150-31	160M	7	200	150	120	571	480	400	1450	235	980	560	510	110	24	13	25	180	1206	295		
	160L	"	"	"	"	"	"	"	"	"	"	"	"	"	"	"	"	"	"	1292	315	
	180M	"	"	"	"	"	"	"	"	"	"	"	"	"	"	"	"	"	160	1336	335	
	180L	"	"	"	"	"	"	"	"	"	"	"	"	"	"	"	"	"	"	"	1341	365
	200L	8	"	"	"	"	"	"	1590	"	1120	"	"	"	"	"	"	"	140	1379	385	
	225S	"	"	"	"	"	"	"	"	"	"	"	"	"	"	"	"	"	115	1407	420	
	225M	"	"	"	"	"	"	"	"	"	"	"	"	"	"	"	"	"	"	"	1444	460
	250M	"	"	"	"	"	"	"	"	"	"	"	"	"	"	"	"	"	"	90	1469	475
	280S	9	"	"	"	"	520	"	1900	260	1380	610	560	"	26	15	"	60	1531	525		
	280M	"	"	"	"	"	"	"	"	"	"	"	"	"	"	"	"	"	"	"	1582	685
315S	10	"	"	"	"	"	"	2000	"	1480	710	660	"	"	"	"	25	1732	1085			
150-35	180L	9	200	150	200	710	520	400	1900	260	1380	610	560	110	26	15	25	160	1755	551		
	200L	"	"	"	"	"	"	"	"	"	"	"	"	"	"	"	"	"	140	1830	571	
	225S	"	"	"	"	"	"	"	"	"	"	"	"	"	"	"	"	"	115	1830	595	
	225M	"	"	"	"	"	"	"	"	"	"	"	"	"	"	"	"	"	"	"	1940	615
	250M	"	"	"	"	"	"	"	"	"	"	"	"	"	"	"	"	"	90	1910	640	
	280S	"	"	"	"	"	"	"	"	"	"	"	"	"	"	"	"	"	60	1940	750	
	280M	"	"	"	"	"	"	"	"	"	"	"	"	"	"	"	"	"	"	2010	870	
	315S	10	"	"	"	"	"	"	2000	"	1480	710	660	"	"	"	"	25	2070	996		
	315M	"	"	"	"	"	"	"	"	"	"	"	"	"	"	"	"	"	"	"	2070	1296
	200-35	200L	9	250	200	250	722	560	450	1900	260	1380	610	560	110	26	15	25	180	1894	580	
225S		"	"	"	"	"	"	"	"	"	"	"	"	"	"	"	"	"	155	2001	640	
225M		"	"	"	"	"	"	"	"	"	"	"	"	"	"	"	"	"	"	"	1971	665
250M		"	"	"	"	"	"	"	"	"	"	"	"	"	"	"	"	"	130	2001	695	
280S		"	"	"	"	"	"	"	"	"	"	"	"	"	"	"	"	"	100	2131	825	
280M		"	"	"	"	"	"	"	"	"	"	"	"	"	"	"	"	"	"	2131	895	
315S		10	"	"	"	"	"	"	2000	"	1480	710	660	"	"	"	"	65	2131	1320		
315M		"	"	"	"	"	"	"	"	"	"	"	"	"	"	"	"	"	"	2273	1443	
315L	"	"	"	"	"	"	"	"	"	"	"	"	"	"	"	"	"	"	2283	1543		
250-35	200L	10	300	250	300	757	560	500	2000	260	1480	710	660	140	26	15	25	180	1951	725		
	225S	"	"	"	"	"	"	"	"	"	"	"	"	"	"	"	"	"	155	2058	785	
	225M	"	"	"	"	"	"	"	"	"	"	"	"	"	"	"	"	"	"	"	2028	810
	250M	"	"	"	"	"	"	"	"	"	"	"	"	"	"	"	"	"	130	2058	845	
	280S	"	"	"	"	"	"	"	"	"	"	"	"	"	"	"	"	"	100	2188	890	
	280M	"	"	"	"	"	"	"	"	"	"	"	"	"	"	"	"	"	"	2188	1010	
	315S	"	"	"	"	"	"	"	"	"	"	"	"	"	"	"	"	"	65	2188	1345	
	315M	11	"	"	"	"	600	"	2300	350	1600	820	750	"	30	18	"	"	"	2330	1500	
	315L	"	"	"	"	"	"	"	"	"	"	"	"	"	"	"	"	"	"	"	2340	1600
	355LA	"	"	"	"	"	"	"	"	"	"	"	"	"	"	"	"	25	2620	2120		